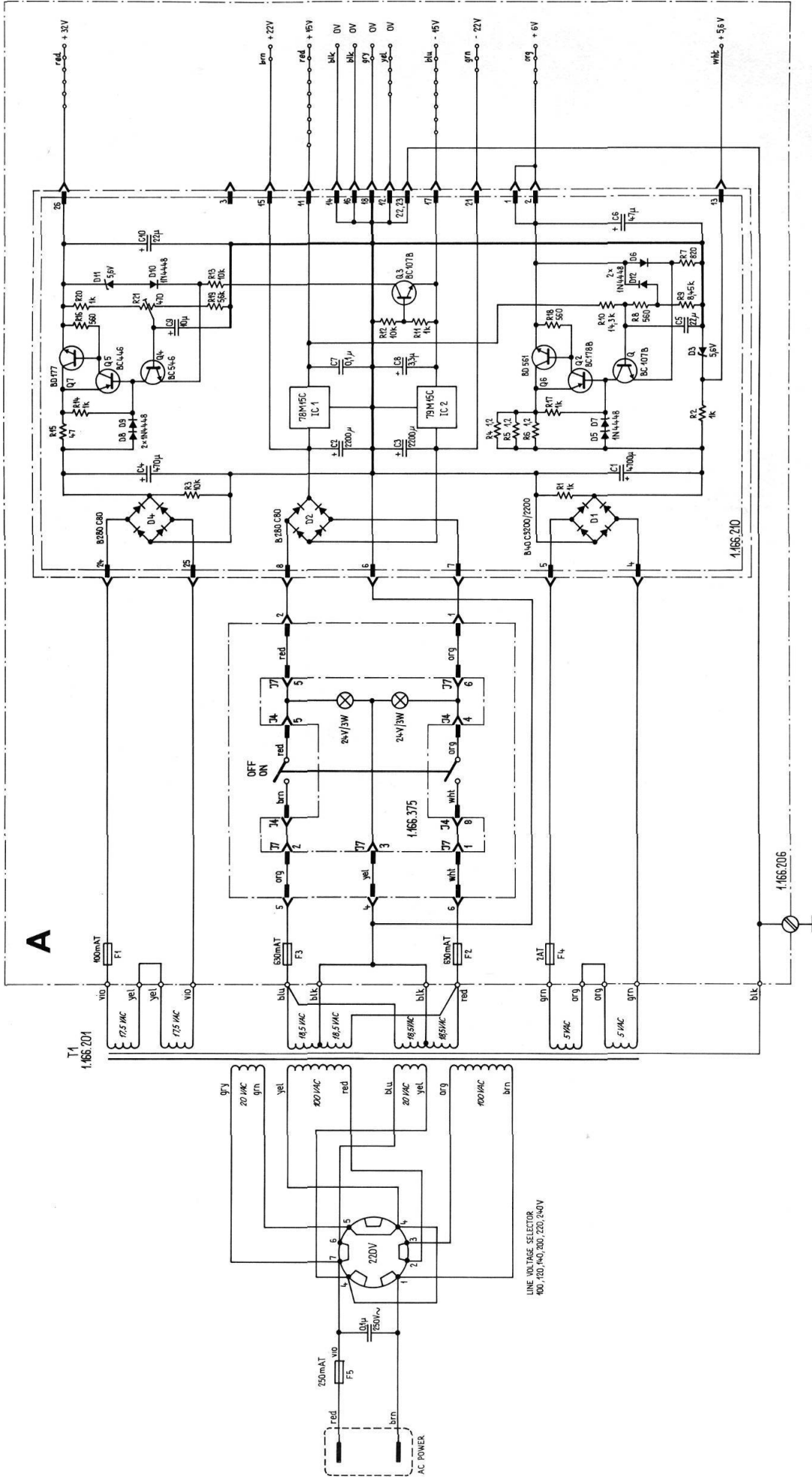
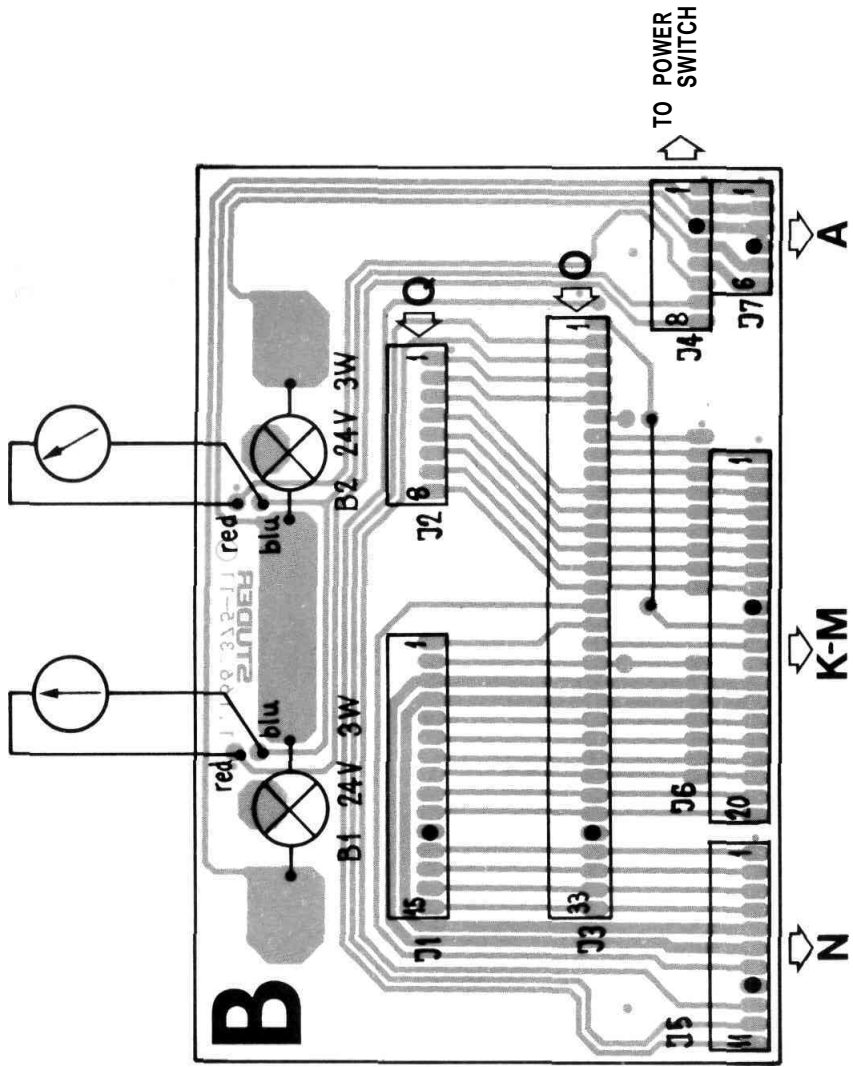


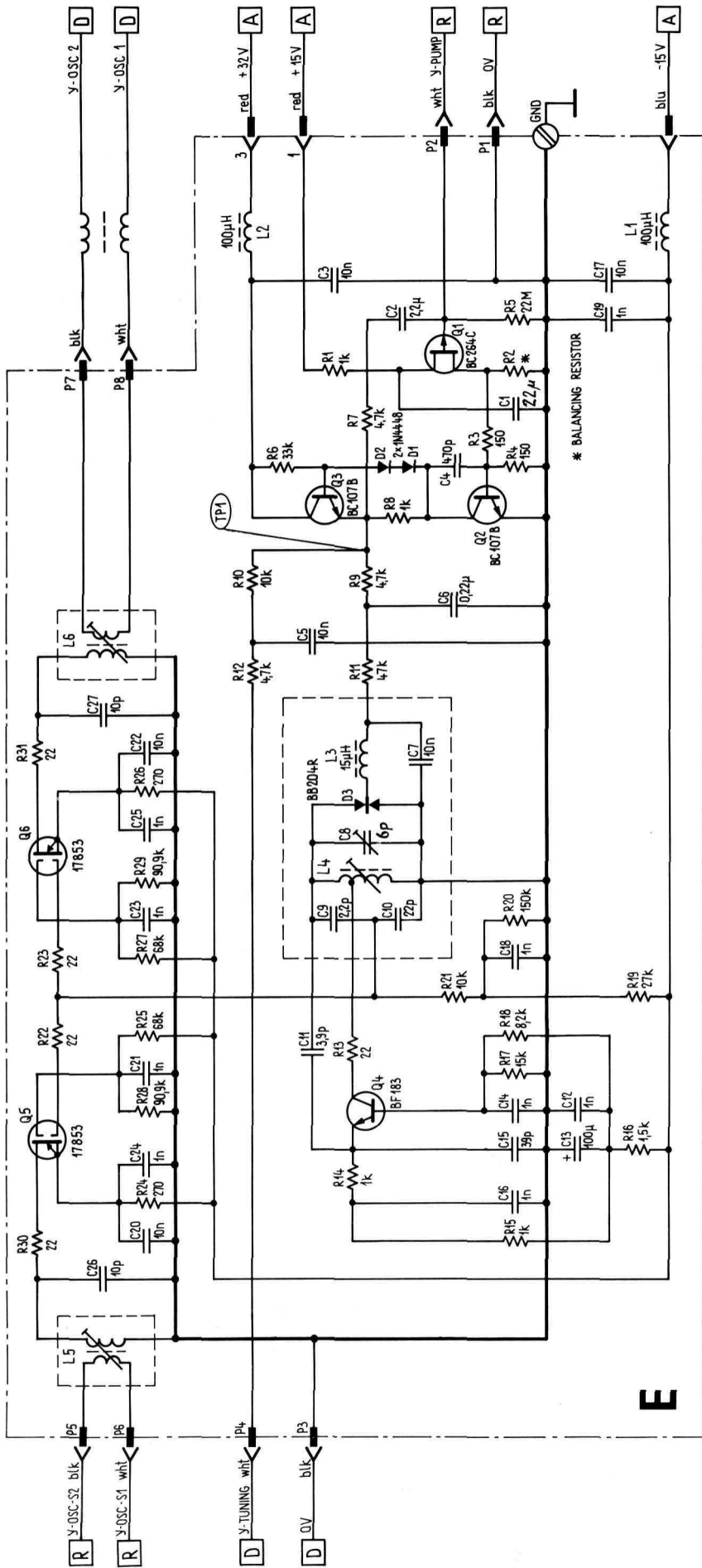
B760

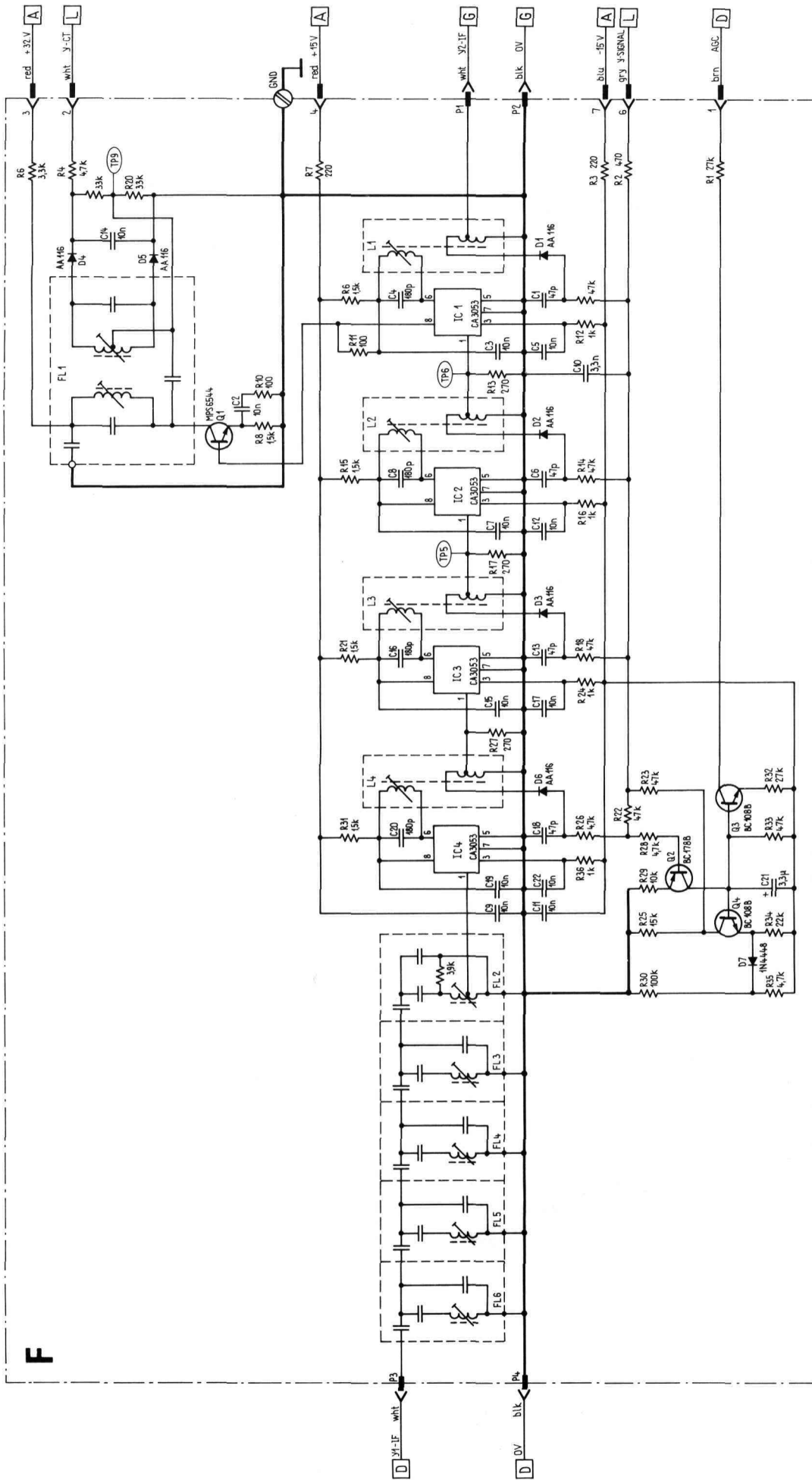
SCHALTUNGSSAMMLUNG SET OF SCHEMATICS
RECUEIL DE SCHÉMAS

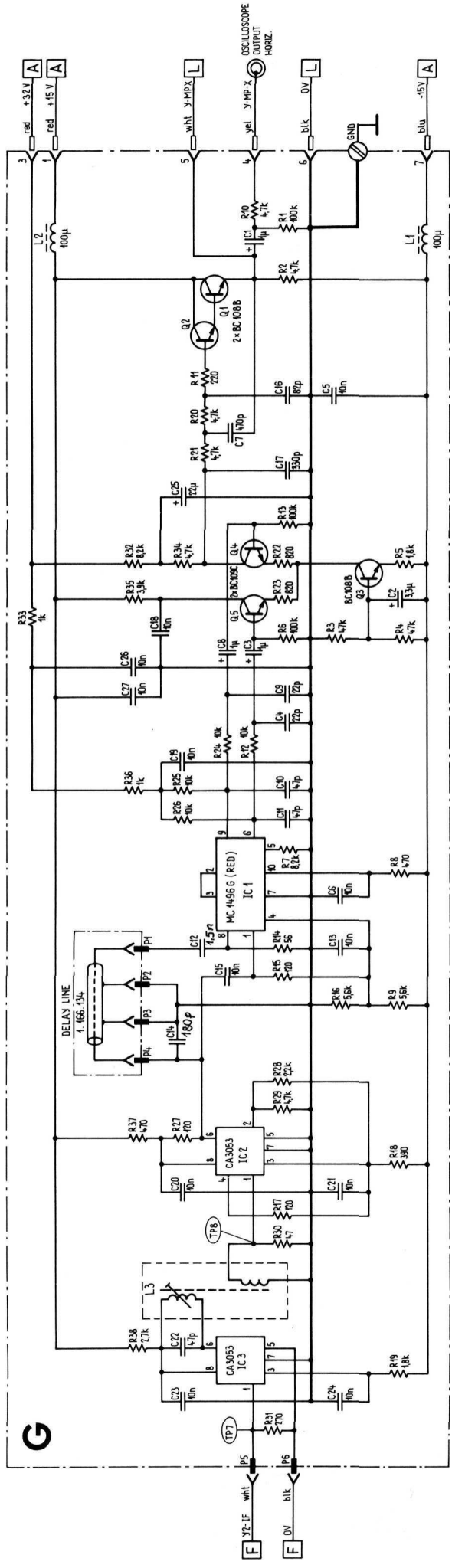


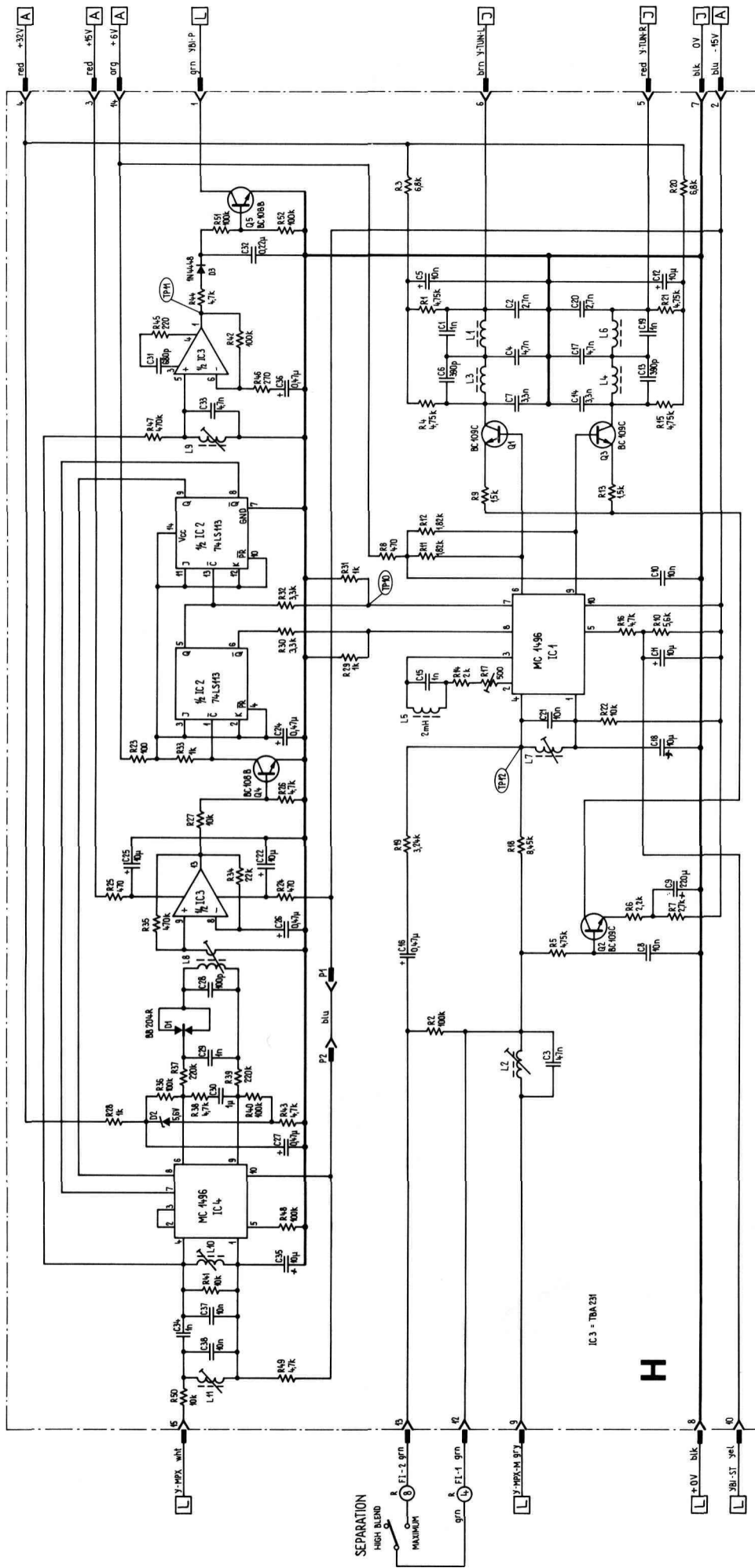


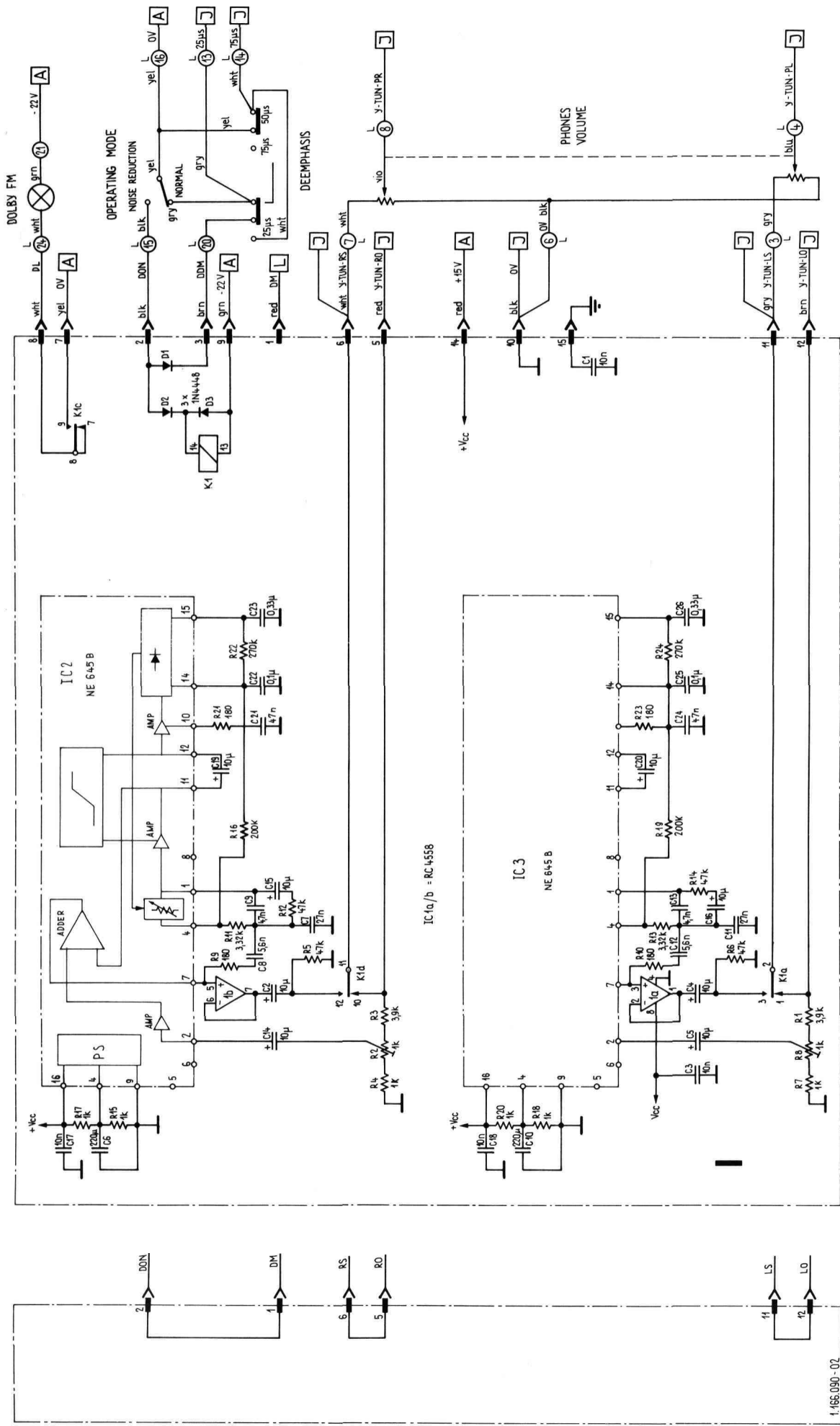


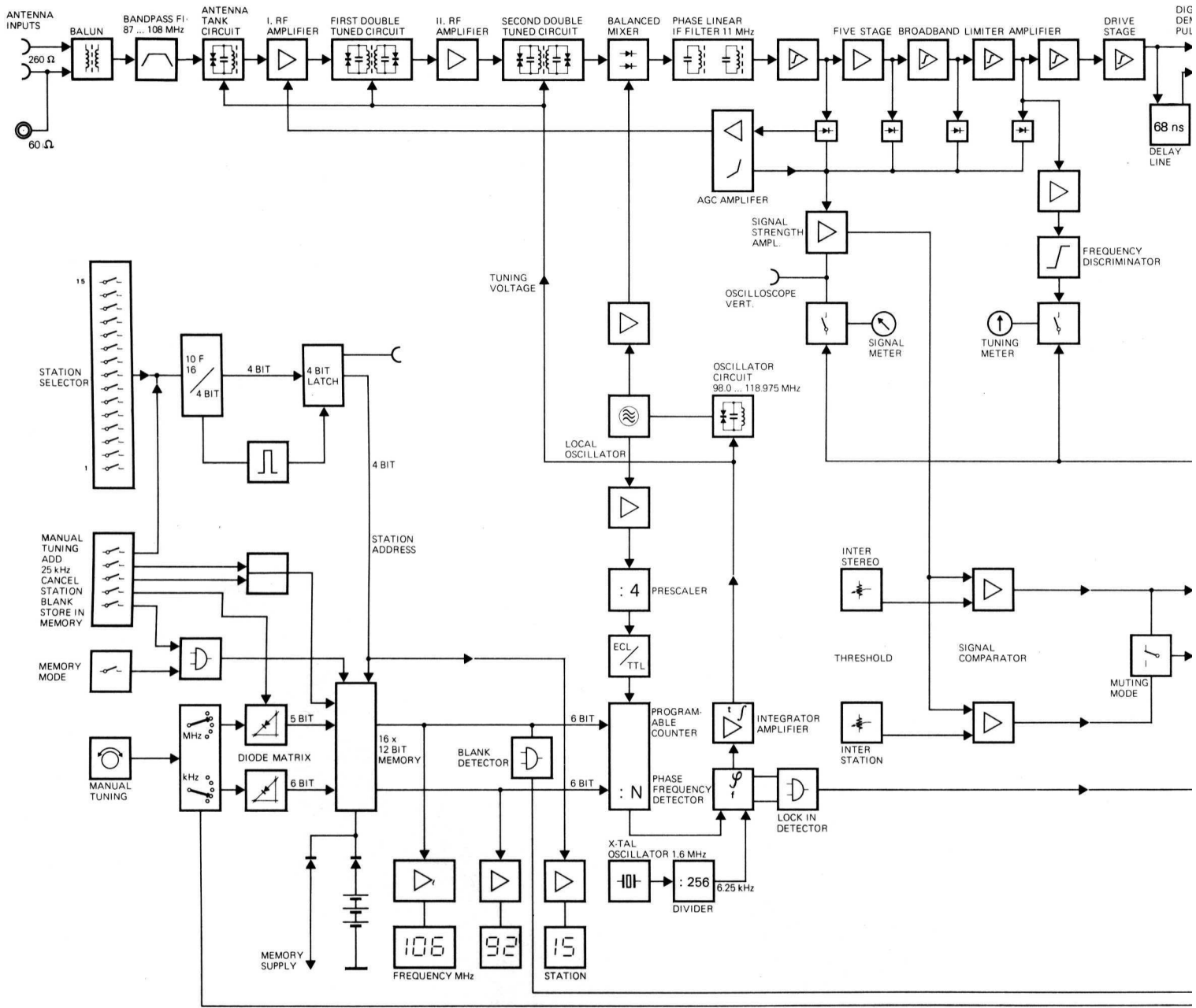


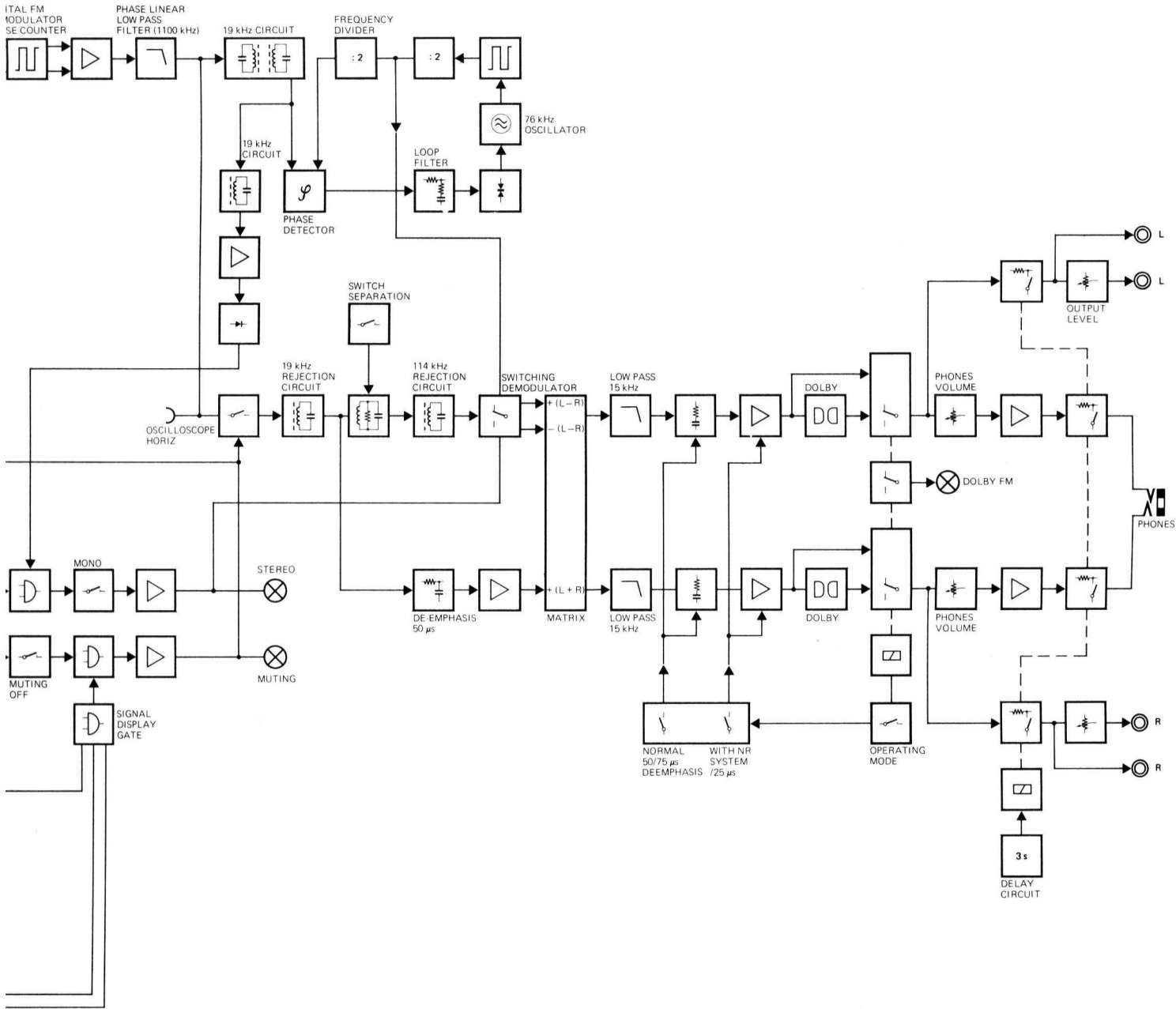




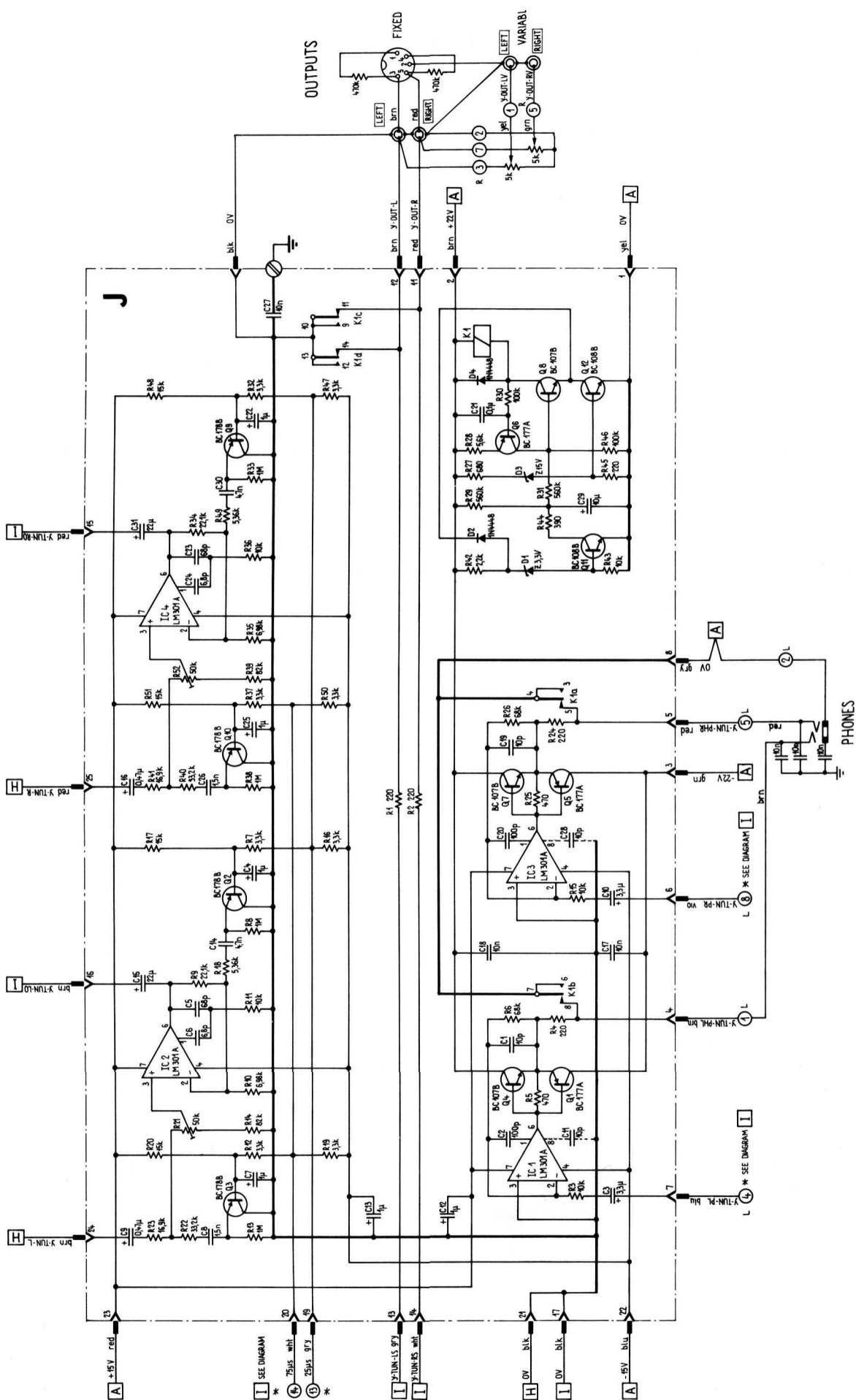


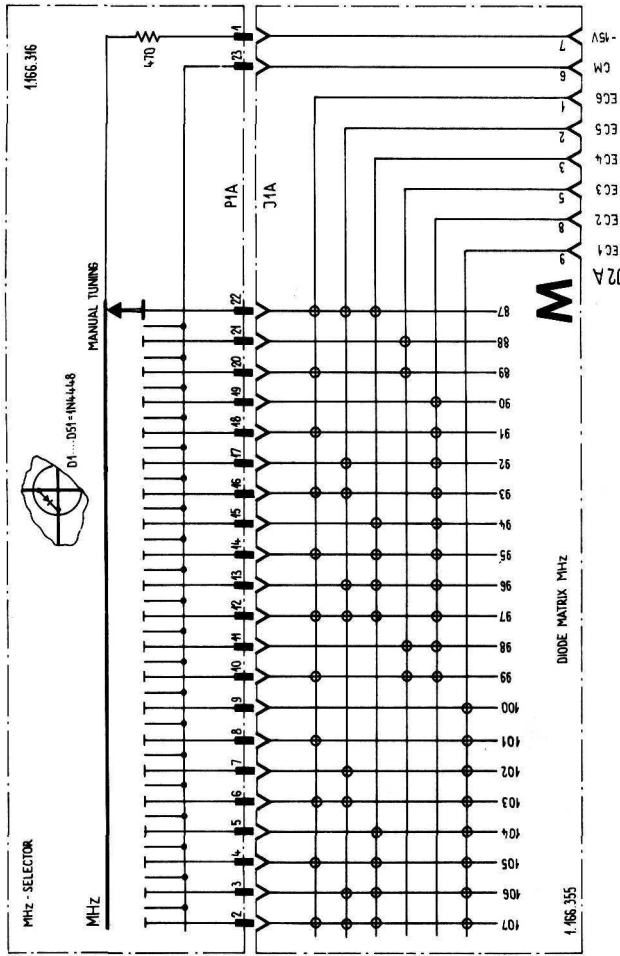






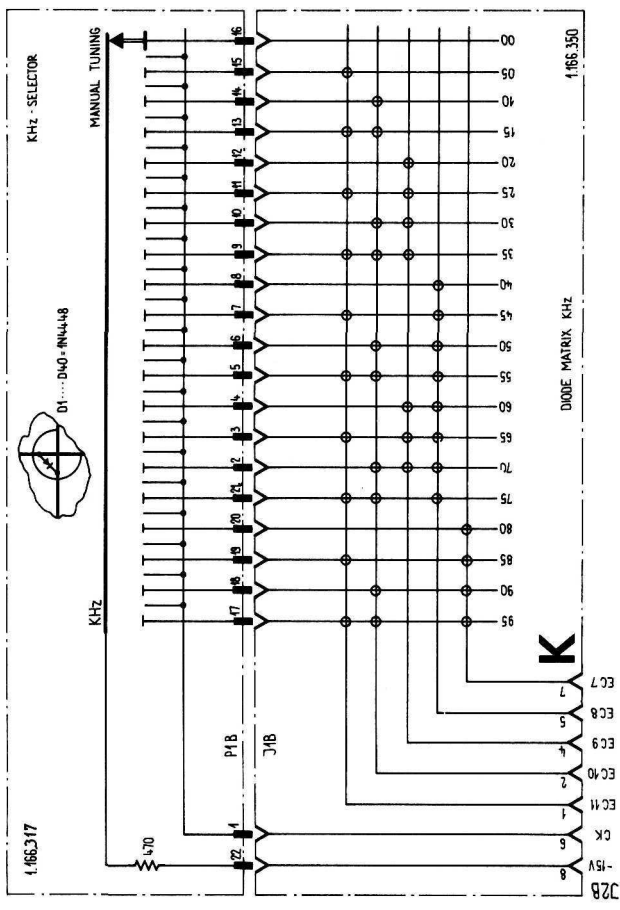
B 760 BLOCK DIAGRAM





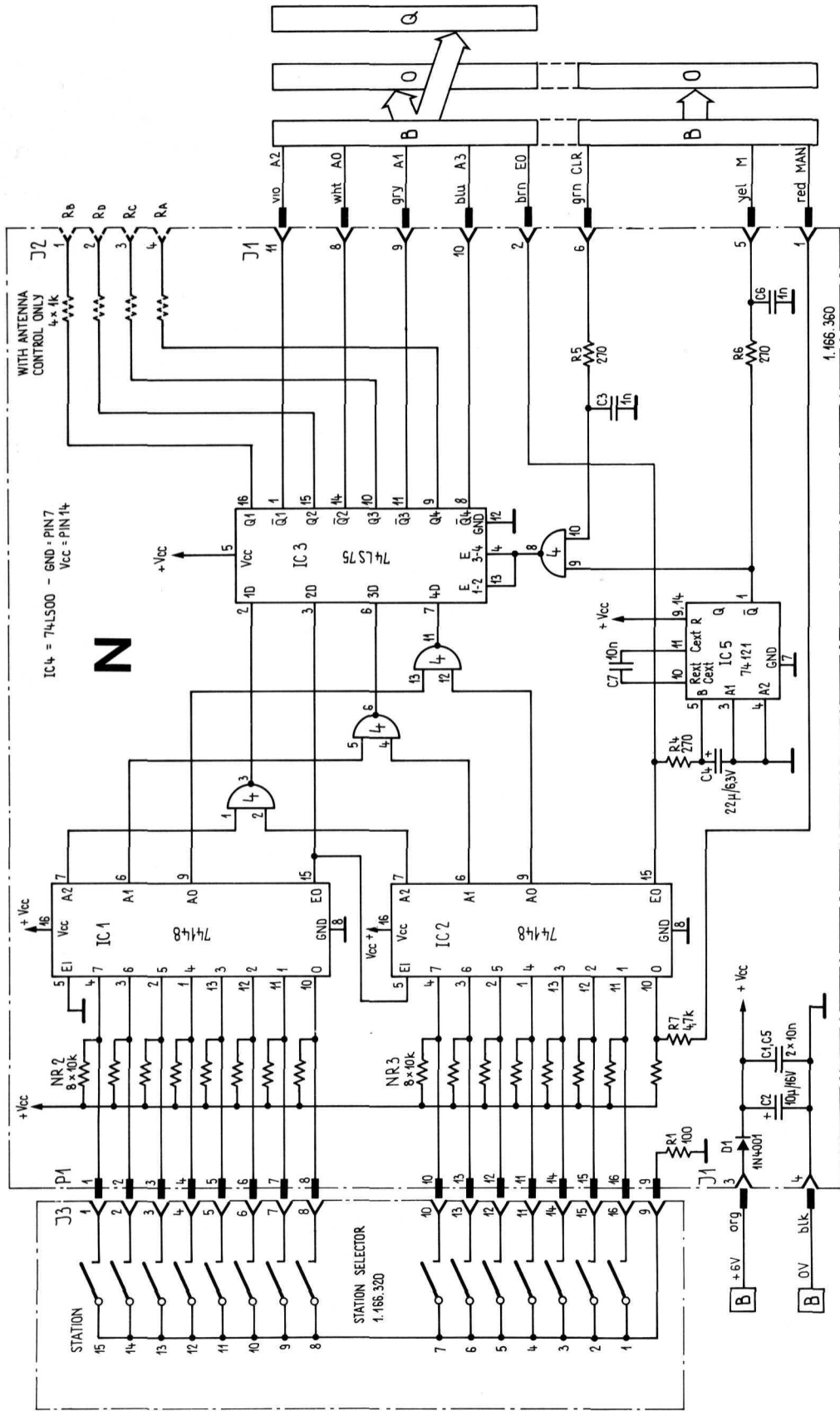
MHz SELECTOR 1. 166. 316

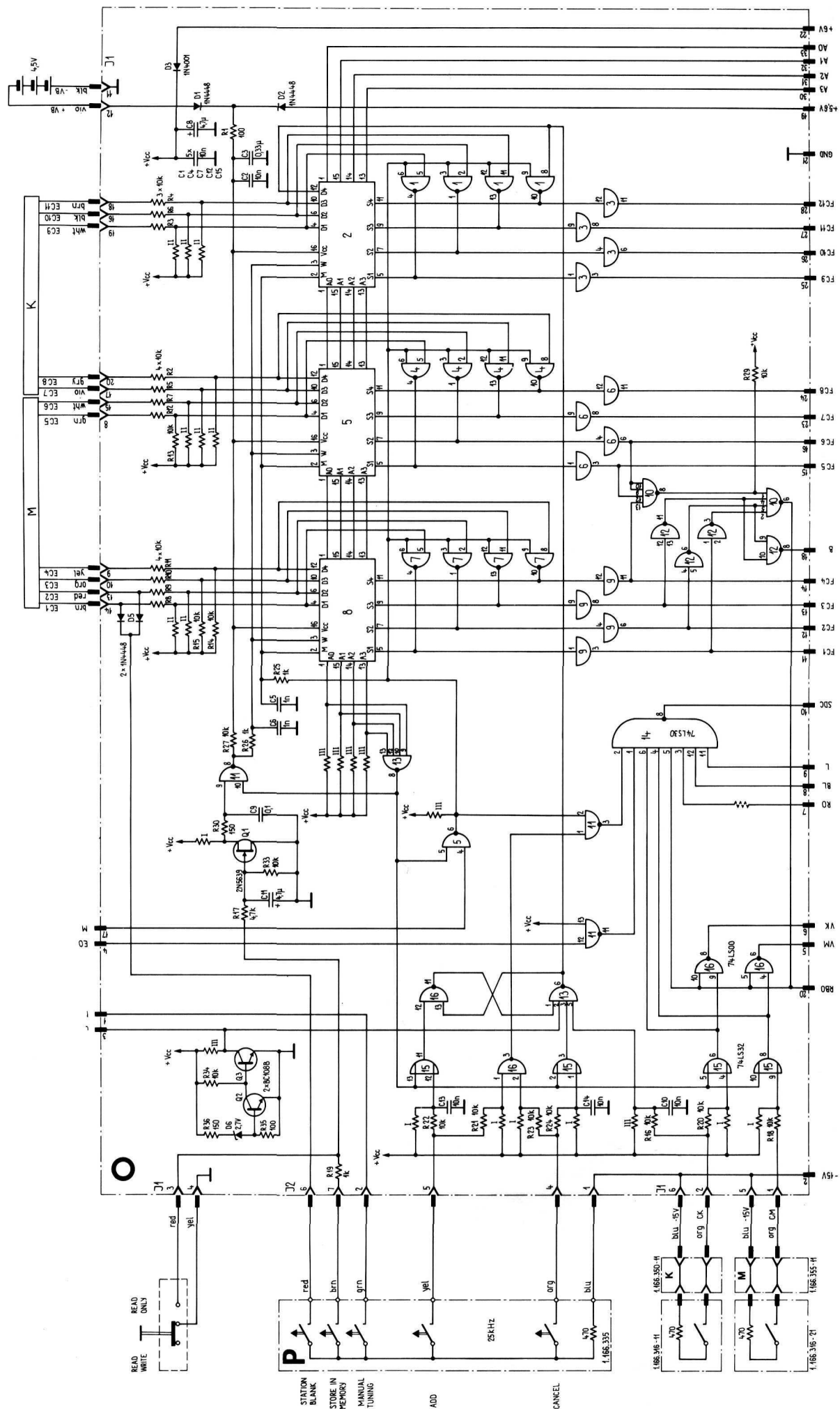
DIODE MATRIX MHz 1. 166. 355



KHz SELECTOR 1. 166. 317

DIODE MATRIX KHz 1. 166. 350





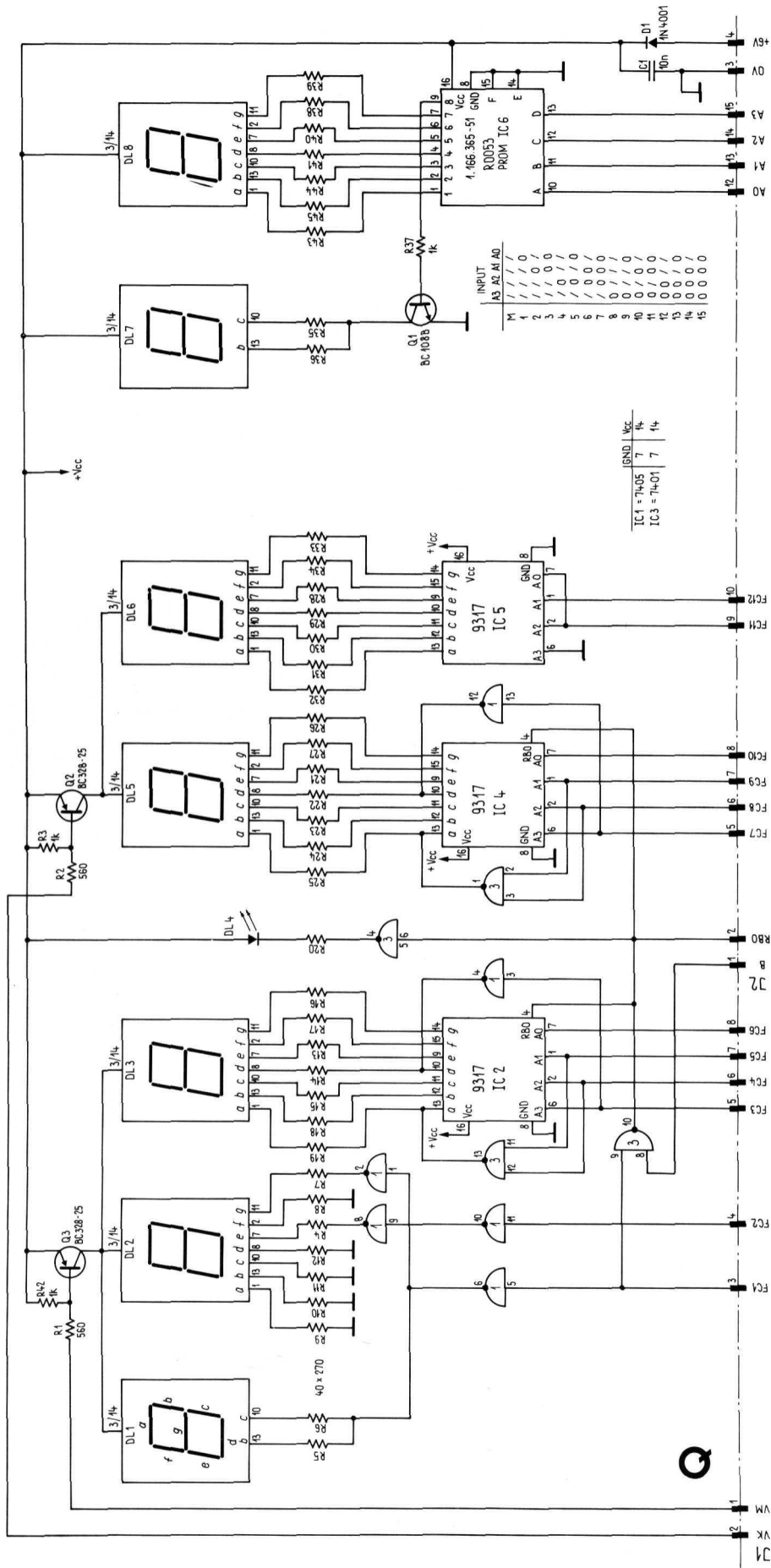
FREQUENCY MEMORY 1.166.370
 FNELEMENTE KEYBOARD 1.166.335

IC	Pin	IC	Pin
IC14, 7	= 74LS01	7	14
IC2, 5, 6	= 4775	8	16
IC3, 6, 9	= 74LS08	7	14
IC4	= 74LS22	7	14
IC5, 8	= 74LS32	7	14
IC7, 16	= 74LS50	7	14
IC11	= 74LS10	7	14
IC12	= 74LS11	7	14
IC13	= 74LS12	7	14
IC15	= 74LS13	7	14
IC18	= 74LS15	7	14
IC19	= 74LS16	7	14
IC20	= 74LS17	7	14
IC21	= 74LS18	7	14
IC22	= 74LS19	7	14
IC23	= 74LS20	7	14
IC24	= 74LS21	7	14
IC25	= 74LS22	7	14
IC26	= 74LS23	7	14
IC27	= 74LS24	7	14
IC28	= 74LS25	7	14
IC29	= 74LS26	7	14
IC30	= 74LS27	7	14
IC31	= 74LS28	7	14
IC32	= 74LS29	7	14
IC33	= 74LS30	7	14
IC34	= 74LS31	7	14
IC35	= 74LS32	7	14
IC36	= 74LS33	7	14
IC37	= 74LS34	7	14
IC38	= 74LS35	7	14
IC39	= 74LS36	7	14
IC40	= 74LS37	7	14
IC41	= 74LS38	7	14
IC42	= 74LS39	7	14
IC43	= 74LS40	7	14
IC44	= 74LS41	7	14
IC45	= 74LS42	7	14
IC46	= 74LS43	7	14
IC47	= 74LS44	7	14
IC48	= 74LS45	7	14
IC49	= 74LS46	7	14
IC50	= 74LS47	7	14
IC51	= 74LS48	7	14
IC52	= 74LS49	7	14
IC53	= 74LS50	7	14
IC54	= 74LS51	7	14
IC55	= 74LS52	7	14
IC56	= 74LS53	7	14
IC57	= 74LS54	7	14
IC58	= 74LS55	7	14
IC59	= 74LS56	7	14
IC60	= 74LS57	7	14
IC61	= 74LS58	7	14
IC62	= 74LS59	7	14
IC63	= 74LS60	7	14
IC64	= 74LS61	7	14
IC65	= 74LS62	7	14
IC66	= 74LS63	7	14
IC67	= 74LS64	7	14
IC68	= 74LS65	7	14
IC69	= 74LS66	7	14
IC70	= 74LS67	7	14
IC71	= 74LS68	7	14
IC72	= 74LS69	7	14
IC73	= 74LS70	7	14
IC74	= 74LS71	7	14
IC75	= 74LS72	7	14
IC76	= 74LS73	7	14
IC77	= 74LS74	7	14
IC78	= 74LS75	7	14
IC79	= 74LS76	7	14
IC80	= 74LS77	7	14
IC81	= 74LS78	7	14
IC82	= 74LS79	7	14
IC83	= 74LS80	7	14
IC84	= 74LS81	7	14
IC85	= 74LS82	7	14
IC86	= 74LS83	7	14
IC87	= 74LS84	7	14
IC88	= 74LS85	7	14
IC89	= 74LS86	7	14
IC90	= 74LS87	7	14
IC91	= 74LS88	7	14
IC92	= 74LS89	7	14
IC93	= 74LS90	7	14
IC94	= 74LS91	7	14
IC95	= 74LS92	7	14
IC96	= 74LS93	7	14
IC97	= 74LS94	7	14
IC98	= 74LS95	7	14
IC99	= 74LS96	7	14
IC100	= 74LS97	7	14

1 = R 32 } RESISTOR NETWORK
 II = R 28 }
 III = R 31 } 8 = 8K

FREQUENCY MEMORY 1.166.370

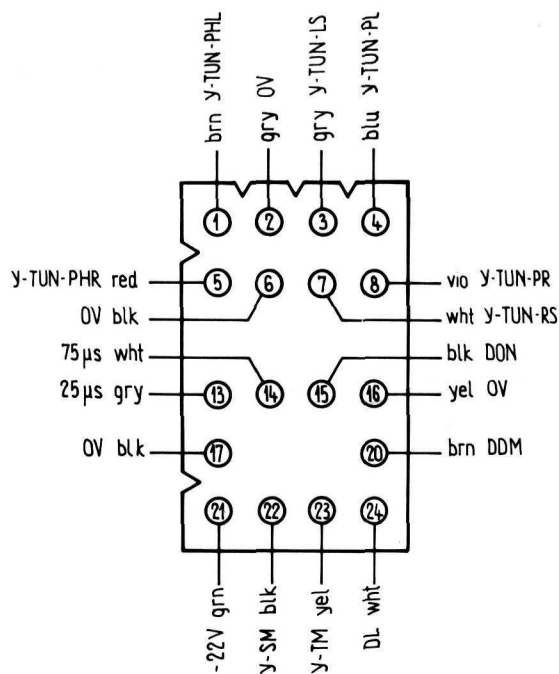
KEY BOARD 1.166.335



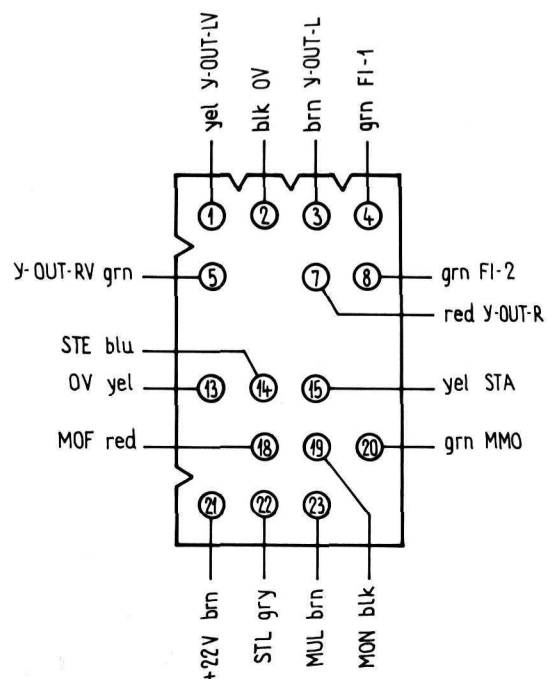
DIAGRAMS LIST

A POWER SUPPLY	1.166.200	K DIODES MATRIX KHz	1.166.350 and 1.166.316
B BASIS BOARD	1.166.375	L LOGIC BOARD	1.166.180
C ANTENNA INPUTS	1.166.195	M DIODES MATRIX MHz	1.166.355 and 1.166.317
D RF FRONT END	1.166.100	N STATION MEMORY	1.166.360 and 1.166.320
E LOCAL OSCILLATOR	1.166.110	O FREQUENCY MEMORY	1.166.370
F IF STRIP	1.166.120	P KEY BOARD	1.166.335
G FM DEMODULATOR	1.166.130	Q DISPLAY UNIT	1.166.365
H STEREO DECODER	1.166.150	R SYNTHESIZER	1.166.140
I DOLBY PROCESSOR UNIT	1.166.400	S DUMMY PLUG	1.166.090
J AUDIO SECTION	1.166.170		

MOLEX CONNECTORS



LEFT



RIGHT

Änderungen vorbehalten
Subject to change
Sous réserve de modification

18.227.1078
Printed in Switzerland
Copyright by Willi Studer
CH-8105 Regensdorf-Zurich